

User Manual

10/100M/1000M Single-mode Single-fiber-(20KM)

Media Converter

● **Fiber Media converter**

The non-managed media converters, which give you economic solutions for media conversion between fiber and copper Ethernet. It provides you SC,FC or ST connectors for your fiber optic cables and RJ45 for twisted pair UTP cable connection. The maximum extension is up to 120km over fiber.

● **Features**

- In conformity to IEEE802.3 10base-T, IEEE802.3u 100base-TX/FX, IEEE802.3ab 1000base-T, IEEE802.3z, 1000base-SX/LX, IEEE802.1a, IEEE802.1P QoS, IEEE802.1d Spanning Tree.
- Hot Plug-gable & Wall-Mountable.
Stable performance more than 50 thousand hours with fault-free.
- Unique IC solution applied.
- Supports 10/100Mbps and 10/100/1000M full/half duplex, easy upgrades.
- Auto MDI/MDI-X.
- Auto Negotiation

- Support flow control.
- Concentrated into EF16-D220(16slot for media converter cards) or EF14-D220(14slot for media converter standalone type) 2U rack-mount chassis.
- Stable performance more than 50 thousands hours with fault-free
- In conformity with safety code of FCC, CE and RoHS.

● Specifications

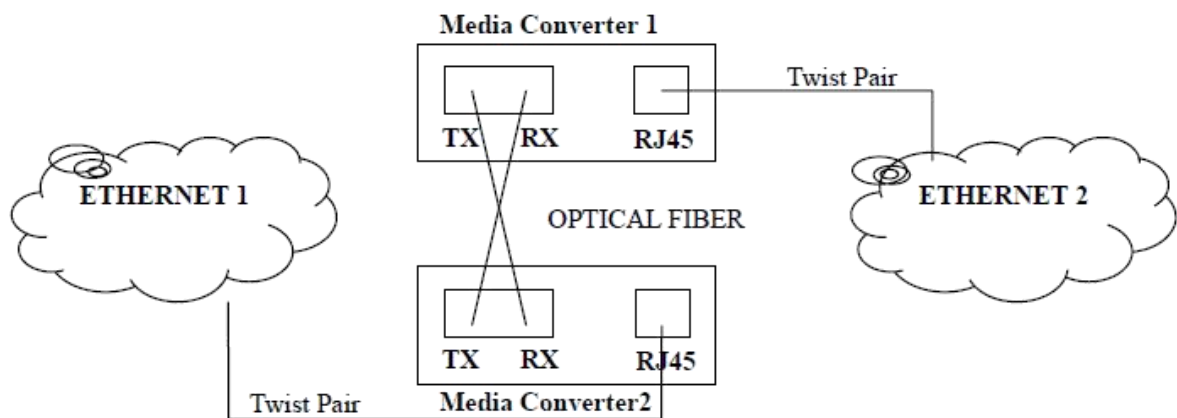
Optical Interface	Connector	1x9 SC/FC/ST
	Data Rate	100Mbps, 1000Mbps
	Duplex Mode	Full duplex
	Fiber	MM 50/125um,62.5/125um SM 9/125um
	Distance	10/100Mbps: MM 2km,SM 25/40/60/80/100/120km 10/100/1000Mbps: MM 550m/2km,SM 20/40/60/80km
Wavelength		MM 850nm,1310nm SM 1310nm,1550nm
		WDM Tx1310/Rx1550nm(A side),Tx1550/Rx1310nm(B side) WDM Tx1490/Rx1550nm(A side),Tx1550/Rx1490nm(B side)
UTP Interface	Connector	RJ45
	Data Rate	10/100Mbps, 10/100/1000Mbps

e	Duplex Mode	Half/full duplex
	Cable	Cat5,Cat6
Power Input	Adapter Type	DC5V
	Power Built-in Type	AC100~240V
Power Consumption		<3W
Weight	Adapter Type	0.39kg
	Power Built-in Type	0.67kg
Dimensions	Adapter Type	94*70.5*26.5cm
	Power Built-in Type	140.5*111*30cm
Temperature		0~50℃ Operating; -40~70℃ Storage
Humidity		5~95%(no condensing)
MTBF		≥10.0000h
Certification		CE,FCC,RoHS

● Application

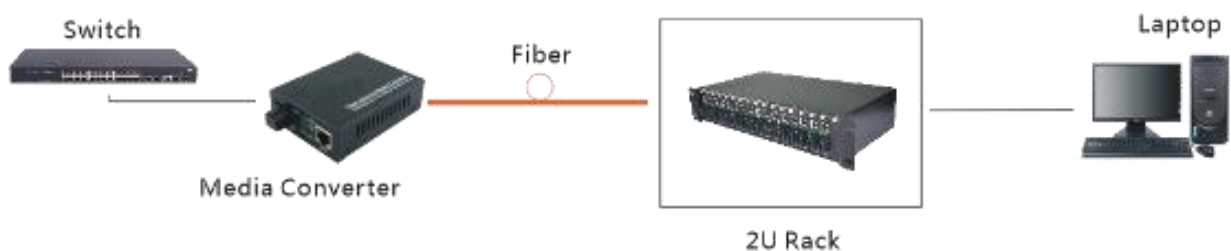
- Extend your Ethernet connection up to 0~120km away using fiber optics
- Creates an economical Ethernet-fiber/copper-fiber link for connecting remote sub-networks to larger fiber optic networks/backbones

- Converts Ethernet to fiber, fiber to copper/Ethernet, ensuring optimum network scalability for connecting two or more Ethernet network nodes (e.g. connecting two buildings on the same campus)
- Designed to provide high-speed bandwidth for demanding large scale work groups that require expansion of Gigabit Ethernet Network

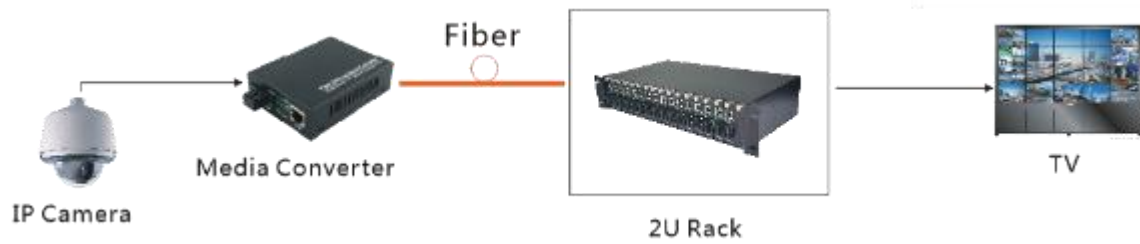


● System Design

1. For Networking



2. For CCTV Surveillance Security



● Product Pictures

10/100M Dual Fiber



10/100M Single Fiber



10/100/1000M Dual Fiber



10/100/1000M Single Fiber

