

User Manual

10/100Mbps (1 Fiber port + 4 RJ45 port)SFP Media Converter



Model	Specifications
JF950SFP-GM	10/100/1000M adaptive, duplex, MM, 550m, SFP
JF950SFP-G2	10/100/1000M adaptive, duplex, SM, 2km, SFP
JF950SFP-G20	10/100/1000M adaptive, duplex, SM, 20km, SFP

JF950SFP-G40	10/100/1000M adaptive,duplex,SM,40km, SFP
JF950SFP-G60	10/100/1000M adaptive,duplex,SM,60km, SFP
JF950SFP-G80	10/100/1000M adaptive,duplex,SM,80km, SFP
JF950SFP-G100	10/100/1000M adaptive,duplex,SM,100km,SFP
JF950SFP-G120	10/100/1000M adaptive,duplex,SM,120km, SFP
JF950SFP-G20A/B	10/100/1000M adaptive,simplex,SM,20km, SFP
JF950SFP-G40A/B	10/100/1000M adaptive,simplex,SM,40km, SFP
JF950SFP-G80A/B	10/100/1000M adaptive,simplex,SM,80km, SFP

● Installation and Connection

RJ-45 Ports: RJ-45 Support CAT5 .Longest Length of Cat5 is 100M,

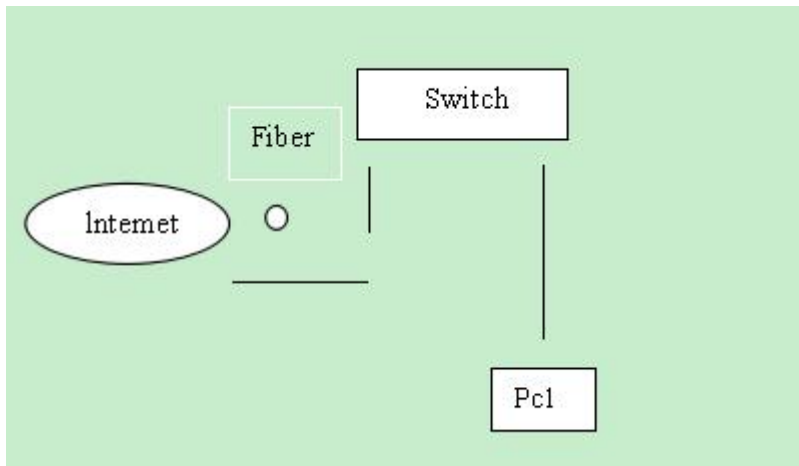
Fiber ports: Support SC/ST/FC Fiber interface, Support 100M Full duplex ,Dual Fiber ports have one fiber port(TX,RX),Single Fiber have one Fiber Port.

Connection:

Fiber port may connect with the input Ethernet, The other fiber port and RJ45Ports can connected with computer or other terminal switches ,Any fiber ports and UTP ports can be used

for Cascading port .When finish fiber cable and coaxial cable connection , The corresponding Led on.

Connection way can refer to Picture 1.



Picture 1• drawing of connection

- **Explanation for LED indicator lamp**

LED	STATUS	OPERATION STATUS
SFP	ON	ON: Fiber Connection NORMAL Off: Fiber Connection Fault
	Blink	Date is transferring
P1-2 Link/Act	ON	UTP Port connection right
	Blink	Date is transferring
PWR	ON	POWER ON,NORMAL

- **Fiber transmission parameter**

Model	TX (nm)	RX (nm)	TX dBm	RX dBm	KM
JF950SFP-GM	850	850	-22~-12	≤-30.0	0-5.5
JF950SFP-G2	1310	1310	-22~-12	≤-30.0	0~2
JF950SFP-G20	1310	1310	-15~-8	≤-38.0	0~25
JF950SFP-G40	1310	1310	-8~-3	≤-38.0	0~40
JF950SFP-G60	1310	1310	-3~0	≤-38.0	0~60
JF950SFP-G80	1550	1550	-5~0	≤-38.0	0~80
JF950SFP-G100	1550	1550	≥-1	≤-38.0	0~100
JF950SFP-G120	1550	1550	≥1	≤-40.0	0~120
JF950SFP-G25A	1310	1550	-15~-8	≤-36.0	0~25
JF950SFP-G25B	1550	1310	--8~-3	≤-36.0	0~25
JF950SFP-G40A	1310	1550	-8~-0	≤-36.0	0~40
JF950SFP-G40B	1550	1310	-8~0	≤-36.0	0~40
JF950SFP-G80A	1490	1550	-3~0	≤-36.0	0~80
JF950SFP-G80B	1550	1490	-3~0	≤-36.0	0~80

- **Function**

I Support IEEE 802.3z/AB 1000Base-T/SX/LX/ZX;

1. Support 1 k MAC;
2. Support IEEE 802.3X Full Duplex and Half Duplex Back pressure flow control;
3. Support MDI/MDI-X automatic switching;
4. Support The longest transmission package 1536 bytes(Selection);FCC, 15CLASSA and CE standard and certification ;

- **Technical parameter**

Support IEEE 802.3z/AB 1000Base-T/SX/LX/ZX;

1. Support 2*UTP RJ-45 and 2*LC Fiber ports;
2. Support Full Duplex and Half Duplex;
3. Power supply: outside DC 5V 1A;
4. Working temperature :0°C-60°C;
5. Operating humidity:5%-90%;
6. Support Cat5 cable;
7. Fiber Type;

Multimode:50/125,62.5/125, 100/140μm

Single mode:8.3/125,8.7/125,9/125, 10/125μm

8. Dimension L*W*L: 94 x 70.5 x 26mm

● Notes

1. Indoor using;
2. Put the dust cap on when don't use the fiber ports;
3. Forbid use eye to observe the laser directly
4. Use by pair.

● Trouble Shooting

1. Products don't match;
2. Fiber Loss is Big: Big Insertion Loss or Big loss when fusion the fiber cable.

● Packing List

Please check the following items in the package before installing the converter.

SFP Fiber Switch	1 Set
AC/DC5V1A Power Adapter	1 Piece
User Manual	1 Copy